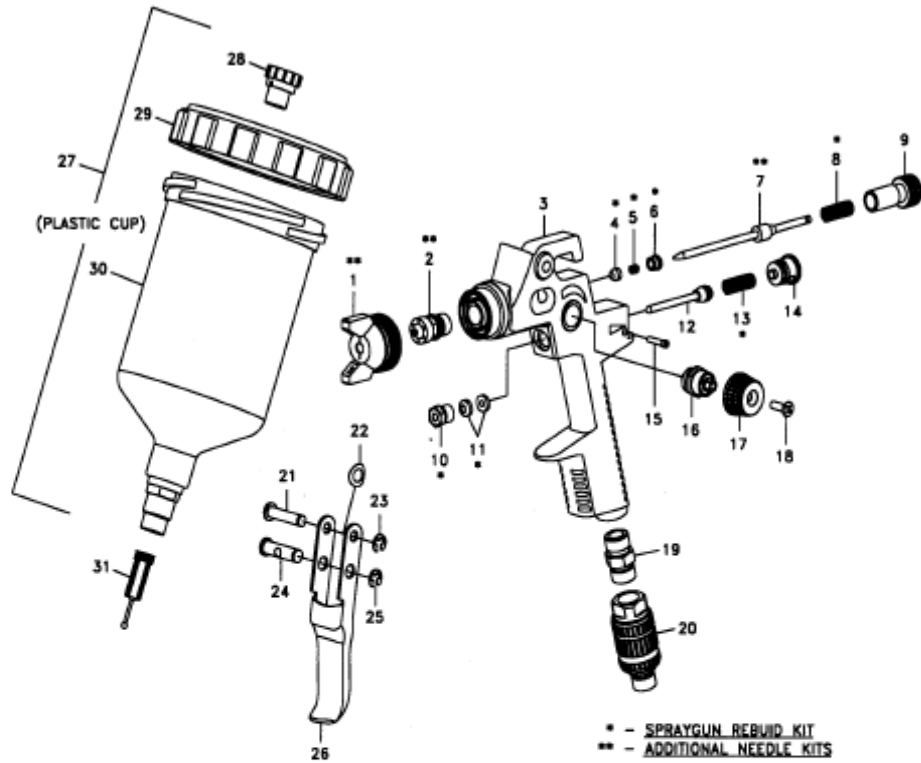


U5-100 PerformMax Series Parts Identification



ITEM	PART No.	DESCRIPTION
1	**	AIR CAP
2	**	FLUID NOZZLE (1.8mm)
3	97-162	SPRAYGUN HANDLE
4	*	NEEDLE PACKING
5	*	COMPRESSION SPRING
6	*	PACKING NUT
7	**	NEEDLE (1.8mm)
8	*	COMPRESSION SPRING
9	97-116	ADJUSTMENT SCREW
10	*	SEAL NUT
11	*	VALVE STEM SEAL
12	97-170	VALVE STEM ASSEMBLY
13	*	COMPRESSION SPRING
14	97-172	VALVE CAP ASSEMBLY
15	97-173	VALVE CAP LOCKING PIN
16	97-174	FAN AIR ASSEMBLY
17	97-115	FAN AIR KNOB
18	97-175	SCREW
19	97-176	AIR INLET FITTING

ITEM	PART No.	DESCRIPTION
20	97-177	AIR REGULATOR
21	97-178	TRIGGER PIVOT PIN
22	97-187	SPRING WASHER
23	97-179	E-CLIP
24	97-180	TRIGGER PIN
25	97-181	E-CLIP
26	97-114	TRIGGER
27	97-117	GRAVITY CUP AND LID ASSEMBLY
28	97-182	VENT CAP
29	97-183	GRAVITY CUP LID
30	97-188	GRAVITY CUP
31	97-016/S	GRAVITY CUP FILTER
-	97-184	GUN WRENCH
-	97-185	ALLEN WRENCH
-	97-186	CLEANING BRUSH
*	97-118	SPRAYGUN REBUILD KIT
**	97-134/1.5mm	1.5mm NEEDLE KIT
**	97-134/1.8mm	1.8mm NEEDLE KIT
**	97-134/2.0mm	2.0mm NEEDLE KIT