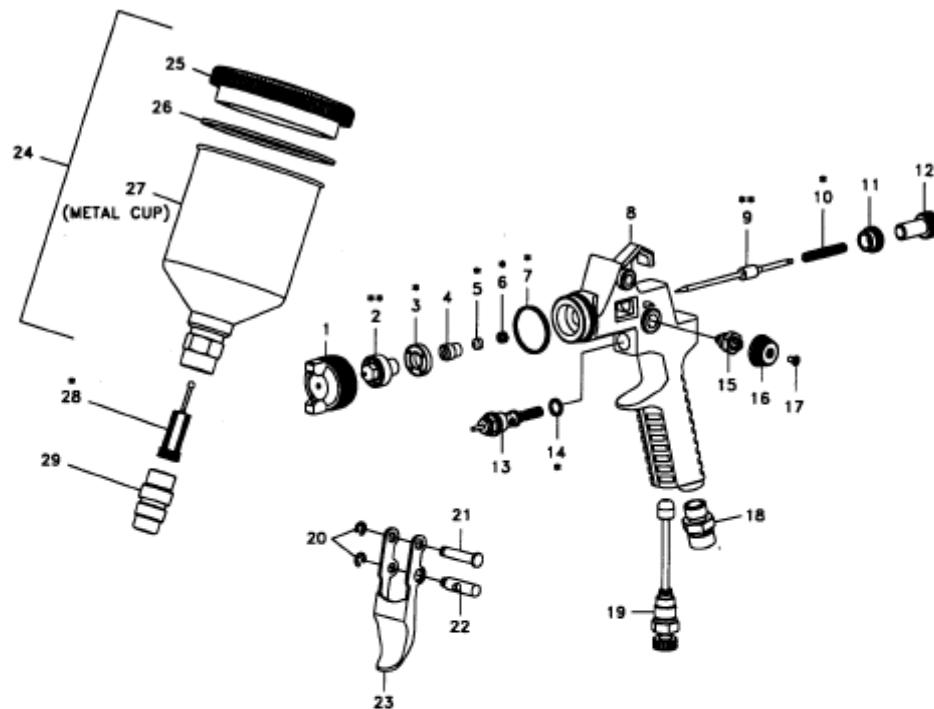


05-300 PerformMax Series Parts Identification



* - SPRAYGUN REBUILD KIT
 ** - ADDITIONAL NEEDLE KITS

ITEM	PART No.	DESCRIPTION
1	97-240	AIR CAP
2	**	FLUID NOZZLE (1.0mm)
3	*	FLUID NOZZLE GASKET
4	97-212	PACKING NUT
5	*	NEEDLE PACKING
6	*	COMPRESSION SPRING
7	*	AIR CAP SEAL
8	97-216	SPRAYGUN HANDLE
9	**	NEEDLE (1.0mm)
10	*	COMPRESSION SPRING
11	97-218	LOCK NUT
12	97-219	ADJUSTMENT SCREW
13	97-220	VALVE STEM ASSEMBLY
14	*	VALVE STEM SEAL
15	97-222	FAN AIR ASSEMBLY
16	97-223	FAN AIR KNOB
17	97-224	SCREW
18	97-225	AIR INLET FITTING

ITEM	PART No.	DESCRIPTION
19	97-226	AIR REGULATOR ASSEMBLY
20	97-227	E-CLIP
21	97-228	TRIGGER PIVOT PIN
22	97-229	TRIGGER PIN
23	97-230	TRIGGER
24	97-231	0.2L GRAVITY CUP ASSEMBLY
25	97-232	GRAVITY CUP LID
26	97-233/2	GRAVITY CUP LID GASKET
27	97-234	0.2L GRAVITY CUP
28	97-016/5	GRAVITY CUP FILTER
29	97-235	FLUID INLET FITTING
-	97-184	GUN WRENCH
-	97-185	ALLEN WRENCH
-	97-186	CLEANING BRUSH
*	97-236	SPRAYGUN REBUILD KIT
**	97-210/0.8mm	0.8mm NEEDLE/NOZZLE KIT
**	97-210/1.0mm	1.0mm NEEDLE/NOZZLE KIT
**	97-210/1.2mm	2.0mm NEEDLE/NOZZLE KIT