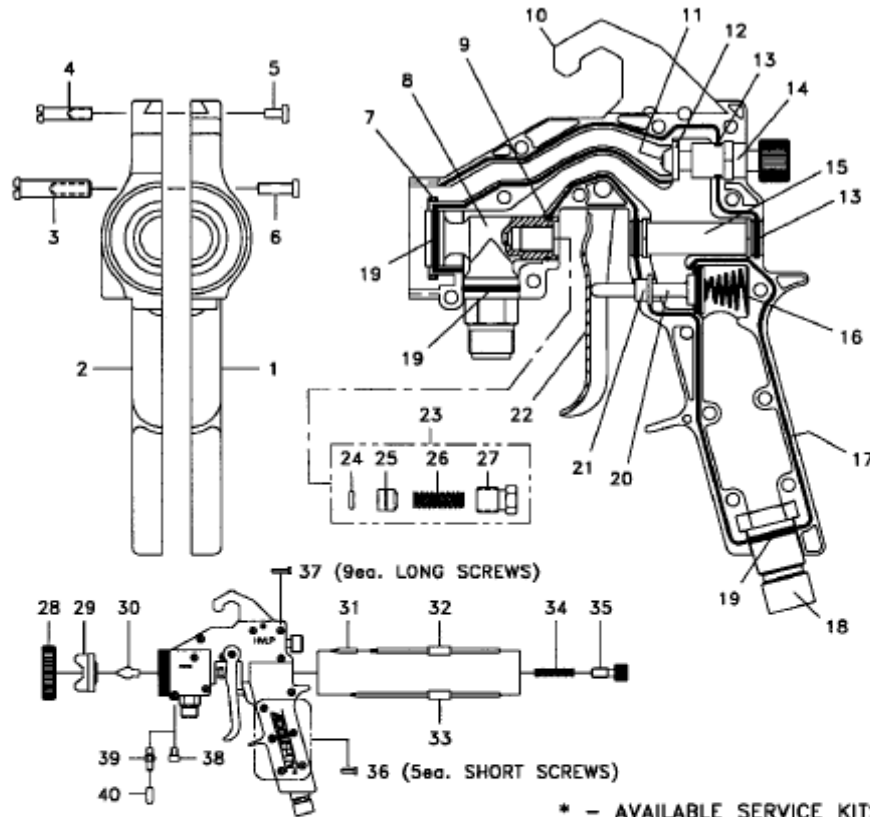


10 Series Hand Gun Parts Identification



* - AVAILABLE SERVICE KITS

ITEM	PART No.	DESCRIPTION
1	91-123-A	LEFT-HALF SPRAYGUN HANDLE
2	91-122	RIGHT-HALF SPRAYGUN HANDLE
3	91-014	TRIGGER PIVOT POST
4	91-141	HOOK POST
5	UH-869/4	HOOK POST SCREW
6	UH-769/4	TRIGGER PIVOT POST SCREW
7	91-276	CLOSURE RING
8	91-084	FLUID PASSAGE ASSEMBLY
9	UH-790/10	O-RING (PACK OF 10)
10	91-124	SPRAYGUN HOOK
11	UH-765/4	FAN VALVE ASSEMBLY SCREW
12	91-015	VALVE SEAL
13	UH-647/10	O-RING (PACK OF 10)
14	91-072	FAN VALVE ASSEMBLY
15	91-041	THREADED SLEEVE ASSEMBLY
16	91-019/5	TELESCOPIC SPRING
17	UH-753/2	SEAL
18	91-020	AIR INLET ASSEMBLY
19	UH-789/10	O-RING (PACK OF 10)
20	91-142	POPPET VALVE ASSEMBLY
21	91-021	FLANGED BUSHING
22	HP-405	TRIGGER

ITEM	PART No.	DESCRIPTION
23	91-200	SELF-ADJUSTING PACKING KIT
24	UH-1405/10	O-RING (PACK OF 10)
25	91-202/2	NEEDLE GUIDE (PACK OF 2)
26	91-199/3	COMPRESSION SPRING (PACK OF 3)
27	91-201	PACKING NUT
28	91-271	RETAINING RING
29	91-009-xxx	AIR CAP (DELRIN)
29	91-071-xxx	AIR CAP (ALUMINUM)
30	91-008-xxx	FLUID NOZZLE
31	91-107-xxx/4	NEEDLE TIP (PACK OF 4)
32	91-078	NEEDLE SHAFT
33	91-006-xxx	FULL S.S. NEEDLE
34	LG-27/5	SPRING (PACK OF 5)
35	91-068	NEEDLE ADJUSTMENT SCREW
36	UH-800/10	1/2" (SHORT) SCREW (PACK OF 10)
37	UH-801/10	5/8" (LONG) SCREW (PACK OF 10)
38	UH-694/4	AIR PRESSURE PORT PLUG
39	LFG-465	AIR PRESSURE STEM
40	91-109/10	AIR PRESSURE STEM CAP
*	91-028	SPRAYGUN REBUILD KIT
*	91-049	O-RING REPLACEMENT KIT
*	91-152-A	HANDLE REPLACEMENT KIT