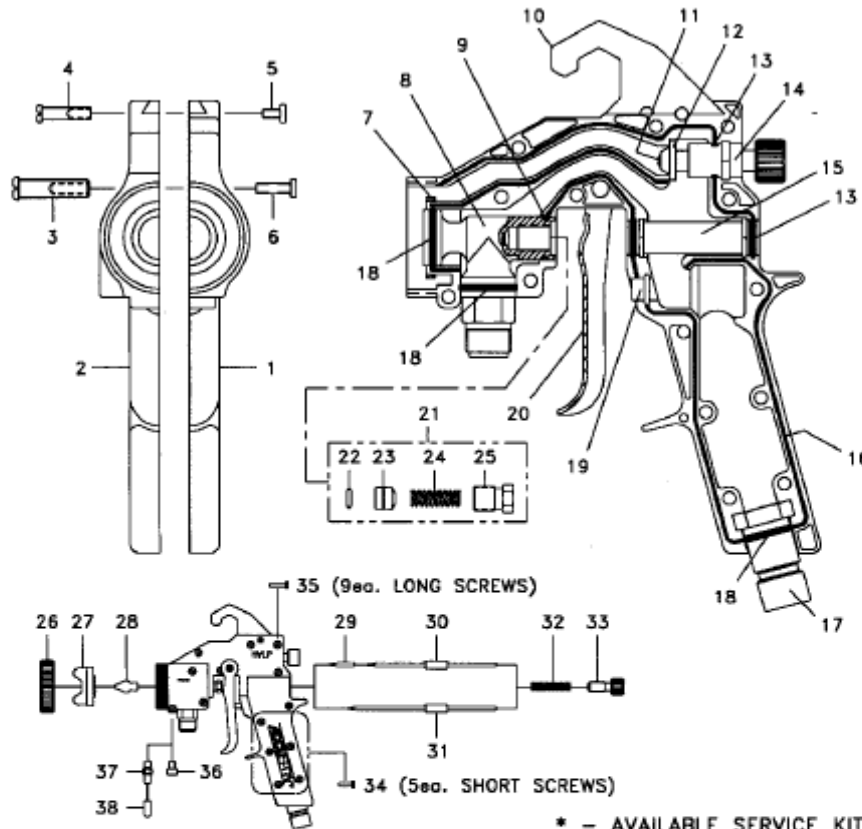


11 Series Hand Gun Parts Identification



* - AVAILABLE SERVICE KITS

ITEM	PART No.	DESCRIPTION
1	91-123-A	LEFT-HALF SPRAYGUN HANDLE
2	91-122	RIGHT-HALF SPRAYGUN HANDLE
3	91-014	TRIGGER PIVOT POST
4	91-141	HOOK POST
5	UH-869/4	HOOK POST SCREW
6	UH-769/4	TRIGGER PIVOT POST SCREW
7	91-276	CLOSURE RING
8	91-064	FLUID PASSAGE ASSEMBLY
9	UH-790/10	O-RING (PACK OF 10)
10	91-124	SPRAYGUN HOOK
11	UH-765/4	FAN VALVE ASSEMBLY SCREW
12	91-015	VALVE SEAL
13	UH-647/10	O-RING (PACK OF 10)
14	91-072	FAN VALVE ASSEMBLY
15	91-041	THREADED SLEEVE ASSEMBLY
16	UH-753/2	SEAL
17	91-020	AIR INLET ASSEMBLY
18	UH-789/10	O-RING (PACK OF 10)
19	91-027	PLUG
20	HP-405	TRIGGER
21	91-200	SELF-ADJUSTING PACKING KIT

ITEM	PART No.	DESCRIPTION
22	UH-1405/10	O-RING (PACK OF 10)
23	91-202/2	NEEDLE GUIDE (PACK OF 2)
24	91-199/3	COMPRESSION SPRING (PACK OF 3)
25	91-201	PACKING NUT
26	91-271	RETAINING RING
27	91-009-xxx	AIR CAP (DELTRIN)
	91-071-xxx	AIR CAP (ALUMINIUM)
28	91-008-xxx	FLUID NOZZLE
29	91-107-xxx/4	NEEDLE TIP (PACK OF 4)
30	91-078	NEEDLE SHAFT
31	91-006-xxx	FULL S.S. NEEDLE
32	LG-27/5	SPRING (PACK OF 5)
33	91-068	NEEDLE ADJUSTMENT SCREW
34	UH-800/10	1/2" (SHORT) SCREW (PACK OF 10)
35	UH-801/10	5/8" (LONG) SCREW (PACK OF 10)
36	UH-694/4	AIR PRESSURE PORT PLUG
37	LFG-465	AIR PRESSURE STEM
38	91-109/10	AIR PRESSURE STEM CAP
*	91-029	SPRAYGUN REBUILD KIT
*	91-049	O-RING REPLACEMENT KIT
*	91-152-A	HANDLE REPLACEMENT KIT