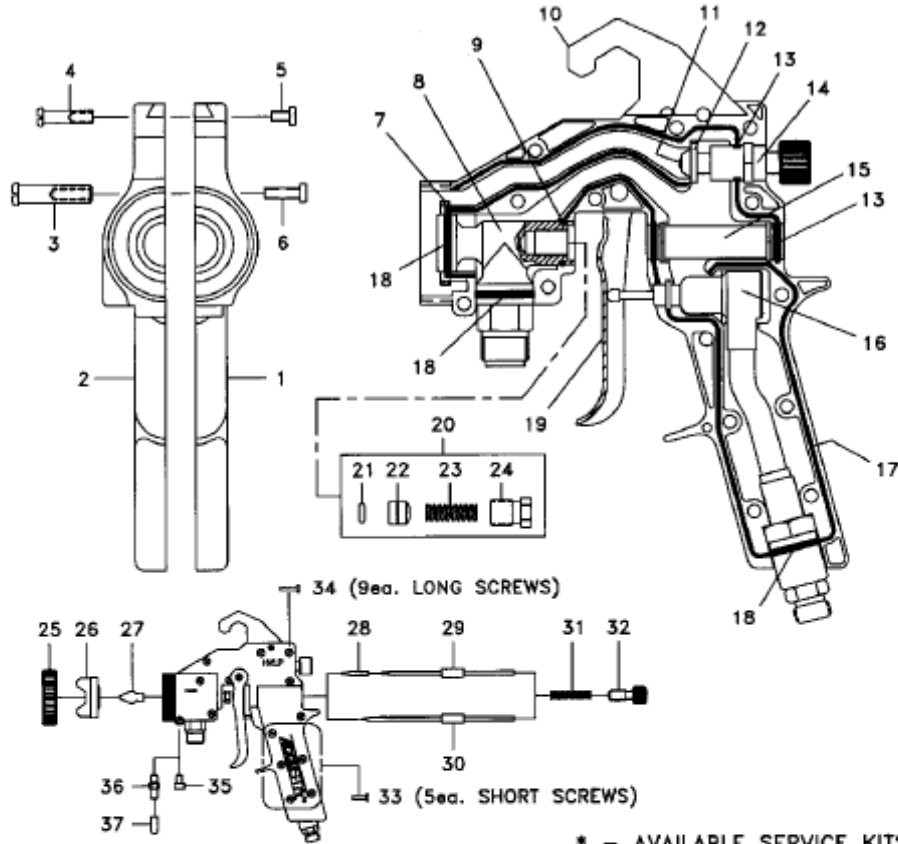


V Gun Series 16 Parts Identification



* - AVAILABLE SERVICE KITS

ITEM	PART No.	DESCRIPTION
1	91-123-B	LEFT-HALF SPRAYGUN HANDLE
2	91-122	RIGHT-HALF SPRAYGUN HANDLE
3	91-014	TRIGGER PIVOT POST
4	91-141	HOOK POST
5	UH-869/4	HOOK POST SCREW
6	UH-769/4	TRIGGER PIVOT POST SCREW
7	91-276	CLOSURE RING
8	91-203	FLUID PASSAGE ASSEMBLY
9	UH-790/10	O-RING (PACK OF 10)
10	91-124	SPRAYGUN HOOK
11	UH-765/4	FAN VALVE ASSEMBLY SCREW
12	91-015	VALVE SEAL
13	UH-647/10	O-RING (PACK OF 10)
14	91-072	FAN VALVE ASSEMBLY
15	91-041	THREADED SLEEVE ASSEMBLY
16	91-168	50 PSI AIR VALVE ASSEMBLY
17	UH-753/2	SEAL
18	UH-789/10	O-RING (PACK OF 10)
19	HP-405	TRIGGER
20	91-200	SELF-ADJUSTING PACKING KIT
21	UH-1405/10	O-RING (PACK OF 10)

ITEM	PART No.	DESCRIPTION
22	91-202/2	NEEDLE GUIDE (PACK OF 2)
23	91-199/3	COMPRESSION SPRING (PACK OF 3)
24	91-201	PACKING NUT
25	91-043	RETAINING RING
26	91-009-xxx	AIR CAP (DELTRIN)
26	91-071-xxx	AIR CAP (ALUMINUM)
27	91-008-xxx	FLUID NOZZLE
28	91-107-xxx/4	NEEDLE TIP (PACK OF 4)
29	91-078	NEEDLE SHAFT
30	91-006-xxx	FULL S.S. NEEDLE
31	LG-27/5	SPRING (PACK OF 5)
32	91-068	NEEDLE ADJUSTMENT SCREW
33	UH-800/10	1/2" (SHORT) SCREW (PACK OF 10)
34	UH-801/10	5/8" (LONG) SCREW (PACK OF 10)
35	UH-694/4	AIR PRESSURE PORT PLUG
36	LFG-465	AIR PRESSURE STEM
37	91-109/10	AIR PRESSURE STEM CAP
*	91-119	SPRAYGUN REBUILD KIT
*	91-223	AIR VALVE UPGRADE KIT
*	91-249	O-RING REPLACEMENT KIT
*	91-152-B	HANDLE REPLACEMENT KIT