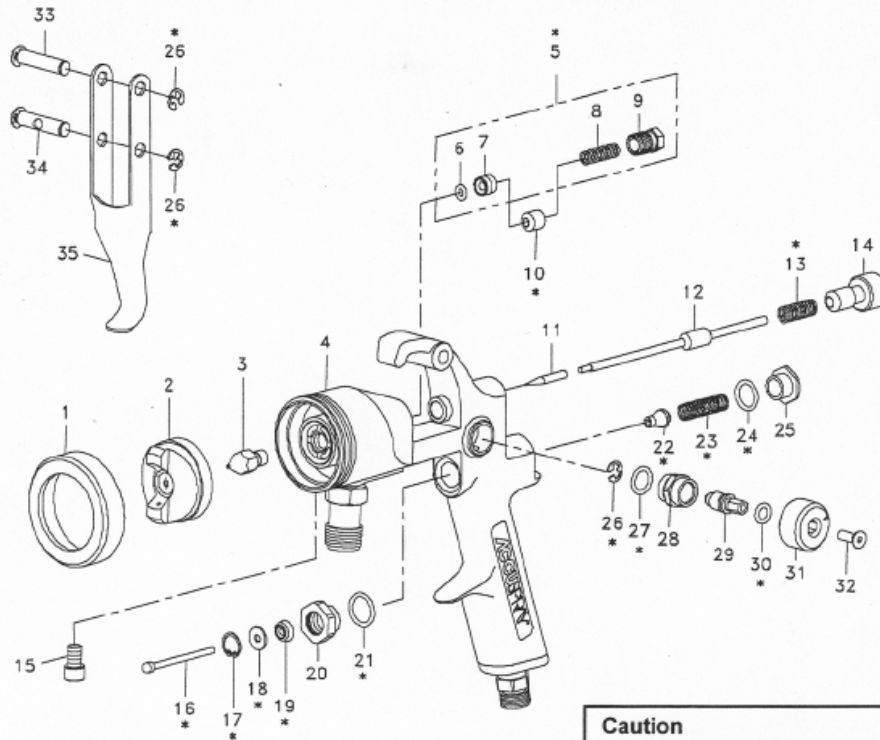


19c Spraygun Parts Identification



Caution
The fluid inlet fitting and the air inlet fitting are not serviceable.

Item	Part Number	Description	Item	Part Number	Description
1	91-043	Retaining Ring	19	97-027	Lip Seal
2	98-020-8xx	Air Cap	20	97-029	Seal Housing
3	97-078-7xx	Fluid Nozzle	21	UH-842/3	O-ring (Pack of 3)
4	98-022	Ass'y - Spraygun Handle	22	97-056	Valve Seat
5	91-200	Kit - Self Adjusting Packing	23	97-032	Valve Spring
6	UH-1405/10	O-RING (Pack of 10)	24	UH-1106/5	O-ring (Pack of 5)
7	91-202/2	Needle Guide (Pack of 2)	25	97-034	Valve Cap
8	91-203/3	Spring (Pack of 3)	26	UH-1108/3	E-Clip (Pack of 3)
9	91-201	Packing Nut	27	UH-647/10	O-ring (Pack of 10)
10	98-016	Spacer	28	97-043	Fan Air Housing
11	97-019-7xx/4	Needle Tip (Pack of 4)	29	97-041	Valve Stem
12	98-009	Needle Shaft	30	UH-1111/5	O-ring (Pack of 5)
13	LG-27/5	Spring (Pack of 5)	31	97-040	Fan Air Knob
14	97-023	Needle Adjustment Screw	32	UH-831/6	Screw (Pack of 6)
15	UH-694	Air Pressure Port Plug	33	97-038	Ass'y - Trigger Pivot Pin
16	97-155	Ass'y - Valve Stem	34	97-037	Ass'y - Trigger Pin
17	UH-1107/10	Snap Ring (Pack of 10)	35	97-036	Trigger
18	97-026/5	Spacer (Pack of 5)	*	98-049	Spraygun Rebuild Kit