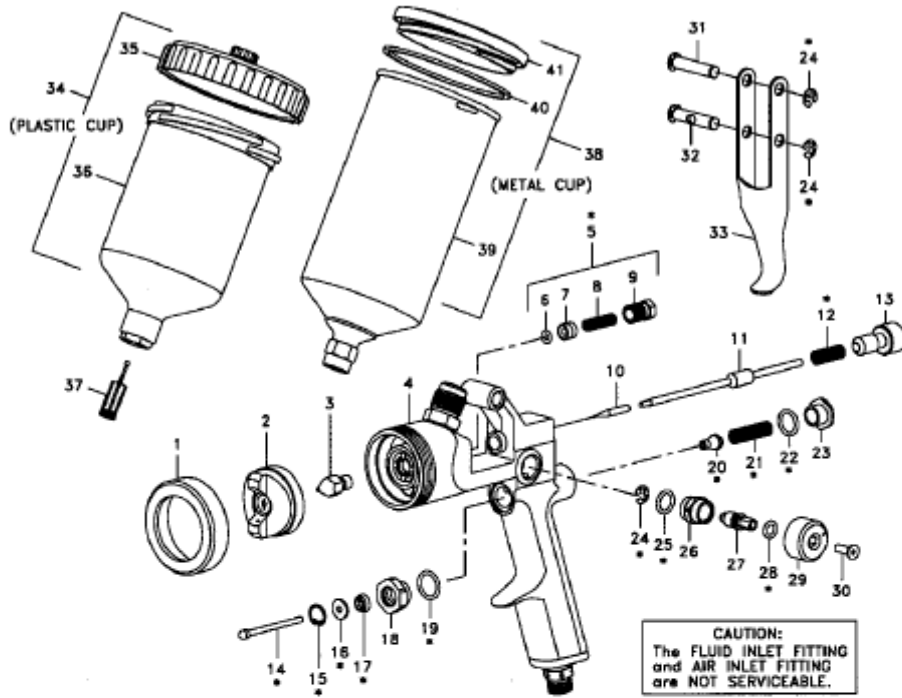


07HS Series Hand Gun- Parts Identification



ITEM	PART No.	DESCRIPTION
1	91-043	RETAINING RING
2	97-077-7xx	AIR CAP
3	97-078-7xx	FLUID NOZZLE
4	97-090	SPRAYGUN SUB-ASSEMBLY
5	91-200	SELF-ADJUSTING PACKING KIT
6	UH-1405/10	O-RING (PACK OF 10)
7	91-202/2	NEEDLE GUIDE (PACK OF 2)
8	91-199/3	COMPRESSION SPRING (PACK OF 3)
9	91-201	PACKING NUT
10	97-019-7xx/4	NEEDLE TIP (PACK OF 4)
11	97-020	NEEDLE SHAFT
12	LG-27/5	SPRING (PACK OF 5)
13	97-023	ADJUSTMENT SCREW
14	97-155	VALVE STEM ASSEMBLY
15	UH-1107/10	SNAP RING (PACK OF 10)
16	97-026/5	SPACER (PACK OF 5)
17	97-027/3	LIP SEAL (PACK OF 3)
18	97-029	SEAL HOUSING
19	UH-842/3	O-RING (PACK OF 3)
20	97-056/3	VALVE SEAT (PACK OF 3)
21	97-032/5	VALVE SPRING (PACK OF 5)
22	UH-1106/5	O-RING (PACK OF 5)
23	97-034	VALVE CAP
24	UH-1108/3	E-CLIP (PACK OF 3)

ITEM	PART No.	DESCRIPTION
25	UH-647/10	O-RING (PACK OF 10)
26	97-043	FAN AIR HOUSING
27	97-041	VALVE STEM
28	UH-1111/5	O-RING (PACK OF 5)
29	97-040	FAN AIR KNOB
30	UH-831/6	SCREW (PACK OF 6)
31	97-038	TRIGGER PIVOT PIN ASSEMBLY
32	97-037	TRIGGER PIN ASSEMBLY
33	97-036	TRIGGER
34	97-044	650ml GRAVITY CUP ASSEMBLY
35	97-045	650ml GRAVITY CUP LID
36	97-018	650ml GRAVITY CUP
37	97-016/5	650ml GRAVITY CUP FILTER
	97-247	0.2L GRAVITY CUP ASSEMBLY
38	97-257	0.6L GRAVITY CUP ASSEMBLY
	97-258	1.0L GRAVITY CUP ASSEMBLY
	97-248	0.2L GRAVITY CUP
39	97-259	0.6L GRAVITY CUP
	97-260	1.0L GRAVITY CUP
40	97-233/2	0.2L CUP LID GASKET
	97-262/2	0.6L & 1.0L CUP LID GASKET
41	97-267	0.2L CUP LID/GASKET
	97-261	0.6L & 1.0L CUP LID/GASKET
*	97-049	SPRAYGUN REBUILD KIT